





ABOUT US

A short introduction

HOW IT ALL STARTED



After more than 20 years in Hospitality, a Le Cordon Bleu Chef and an Industrial Designer teamed up to create mobile, linenless F&B furniture for Hotels, Event Venues and Restaurants that combine the very best of both design and functionality.

This collaboration between Chef Moti Ben-Aharon and Industrial Designer Yariv Kadosh began in 2009. The pair decided to name the brand Mogogo, based on a traditional oven used in northeast Africa. This oven symbolizes the ancient rituals of communal eating – something that is still very much at the core of our society for every important occasion.

VISION & STRATEGY



- INNOVATION
- DESIGN
- SERVICE
- SUSTAINABILITY

Mogogo is a premium hospitality brand that designs, develops and manufactures Food & Beverage furniture systems, as well as an array of related accessories. We are committed to creating highly functional temporary pieces which can fit seamlessly in a variety of interior designs from causal to trendy and high-end. Mogogo aims to produce a paradigm shift in the way professionals conceive of food service and its presentation, and in doing so, usher them into the realm of well-designed furniture for F&B.



OUR BENEFITS



LINENLESS

Our products are linenless, this reveals a modern and clean look which saves money and energy. ROI is approximately one year due to savings on laundry and handling .



MOBILE

Our modular products are easily customizable and are highly mobile, with durable yet elegant casters for easy transportation.



ADD ONS

Mogogo offers a variety of functional and aesthetic add-ons, Such as signpost, arch, canopy and sneeze guards which solve challenges.



MODULAR

The modularity of our system allows you to use the same components in various ways in order to create variety of combinations of products, similar to the way Legos work.



SUSTAINABLE

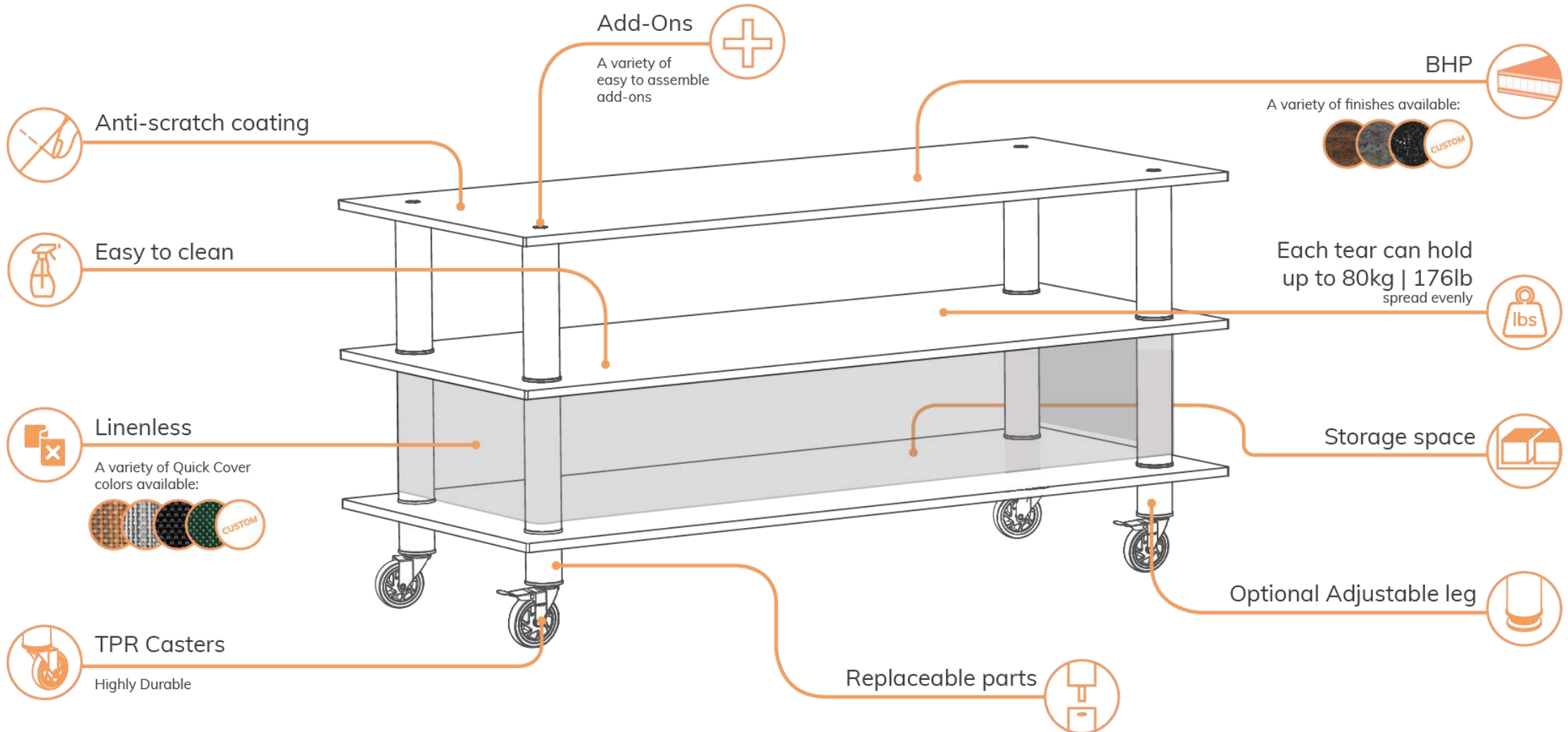
Bamboo our main material is highly sustainable but what truly extends the life of our product is that they can be bought separately.



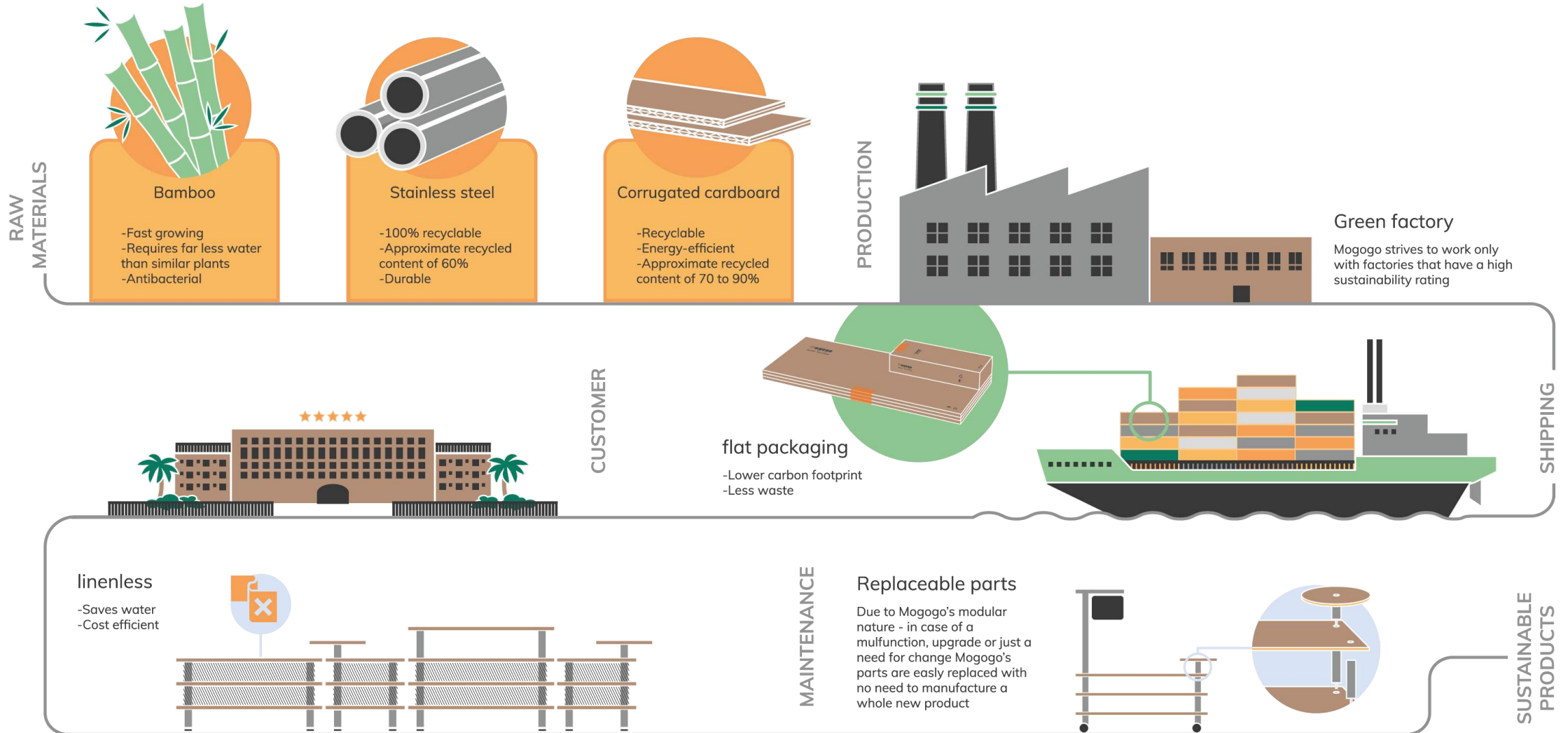
COST EFFECTIVE

Mogogo's wide variety of basic components allows you to get multiple products from the same parts. You get maximum functionality for the cost with no need for linens and extra decorations.

JUST A FEW REMARKABLE FEATURES



SUSTAINABILITY



AMONG OUR CLIENTS



CLIENT TESTIMONIALS



Mogogo products have really been able to enhance our buffets, breaks, and receptions in banquets. The product is so versatile it allows us to create countless different setups each with its own unique look and style.

It is definitely a selling point for our guests, they are always impressed by how modern and stylish they look. They have enabled us to utilize social media a lot more to showcase our banquets here and we constantly receive praise for how great our setups look.

Moving away from linen and spandex on buffets has saved us money on replacing linen and also has allowed us to save time on getting the table prepared for each event. As they are so easy to move and build into different setups you can easily flip a breakfast into a break and then into a lunch with minimal fuss.

Mogogo's versatility and stylish appearance has helped elevate our guest's experience and ensure we stay at the forefront of the Food & Beverage industry.

Philip J Thompson | Executive Chef | Hilton

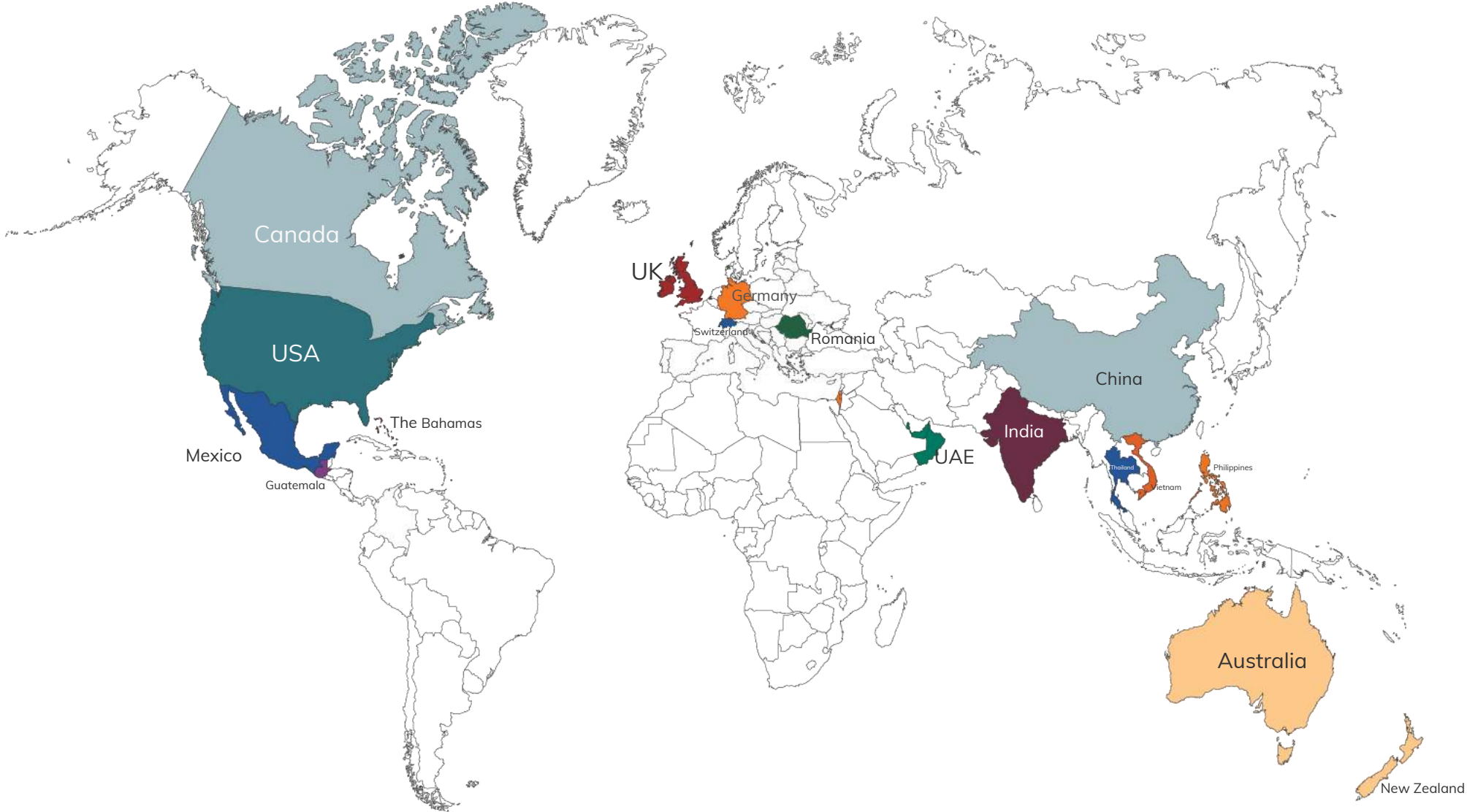
PHG

PACIFIC HOSPITALITY GROUP®

“Mogogo provides a solution to a problem that I have faced my entire career. How to create unique catering and event experiences that are customized, personalized, and at the same time not break the budget. Mogogo delivers this solution in a brilliant way. They have listened to what we as operators need and have been able to deliver a solution that allows us to be creative and at the same time maintain our margins.”

Nate Tanner | Vice President Food & Beverage | Pacific Hospitality Group

TERRITORIES





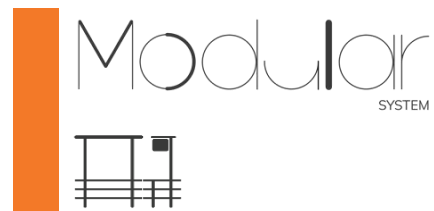
OUR PRODUCTS

Mogogo collections

OUR COLLECTIONS



We offer a variety of product lines in order to accommodate each particular usage scenario. We realize that different events require different types of stations, and each line has been carefully designed to serve a different purpose.





Modular

SYSTEM





- Classic and Creative Range
- Basic “building blocks” – endless configurations
- Variety of sizes and finishes
- Variety of complementary add-ons
- Mobile
- Multi – functional
- Easy to assemble
- Highly durable
- Linenless
- High design standard.

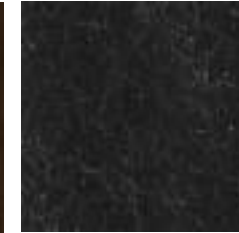


PANEL FINISHES

Made of our innovative BHP material.



Bengali Mango
Wood BHP



Nero Marquina
Marble BHP



Grey Slate BHP

SEGMENT FINISHES



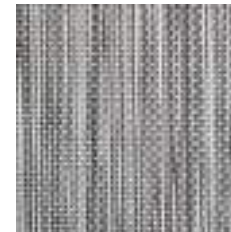
Brushed Stainless
steel Finish



Brushed Brass
Finish

QUICK COVER COLORS

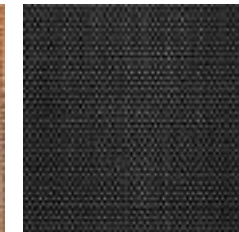
Our original quick covers, both durable and easy to clean - easily cover up your buffet stations.



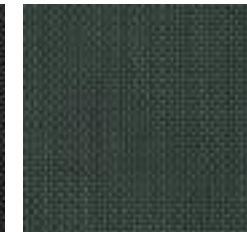
Silver-Grey
Quick Cover



Golden-Brown
Quick Cover

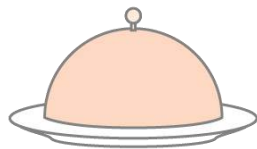
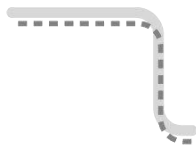
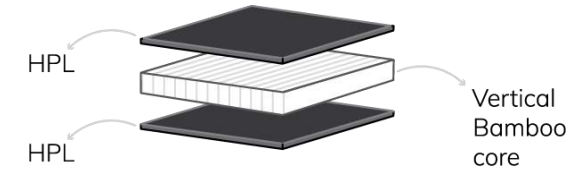


Charcoal-Black
Quick Cover

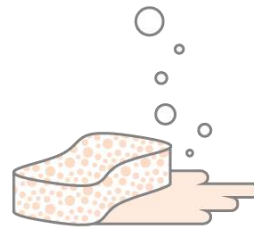
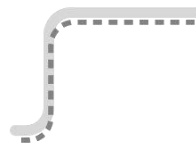


Green
Quick Cover

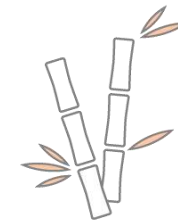
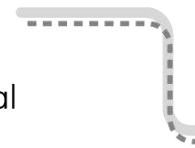
BHP is a newly composed material developed by Mogogo;
merging layers of High Pressure Laminate with a Vertical Bamboo core.



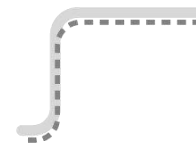
Dedicated to the
hospitality industry



- Highly functional
- Easy to clean and maintain
- Durable



Sustainable



Available in a
variety of finishes





Classic Corner unit



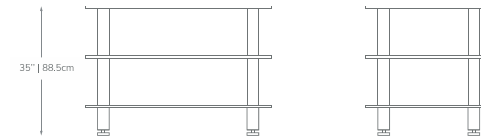
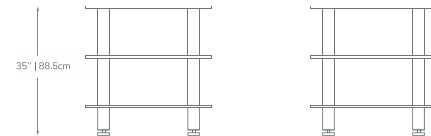
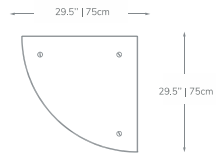
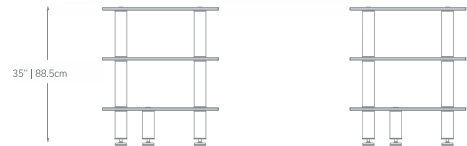
Classic Small unit



Classic Medium unit



Classic large unit





- Sleek linear design
- Adaptable to both traditional and modern looks
- Highly mobile
- Multiple add-ons
- Includes: buffet, action stations, bars and displays





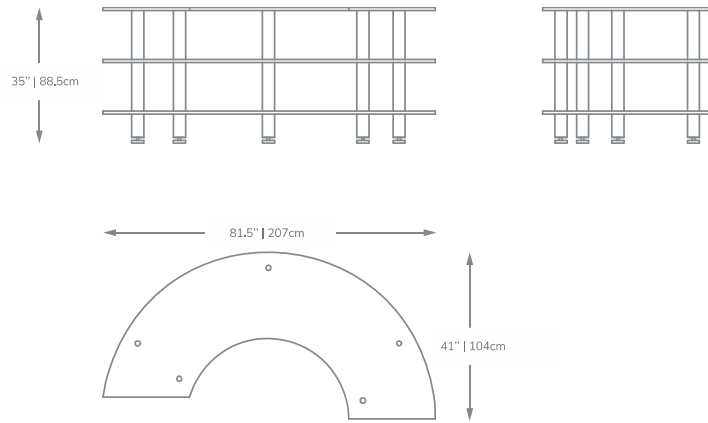


- Clean Streamline design
- Eliminates crowds and service lines
- Makes a great focal point
- Includes: buffet, action stations and displays

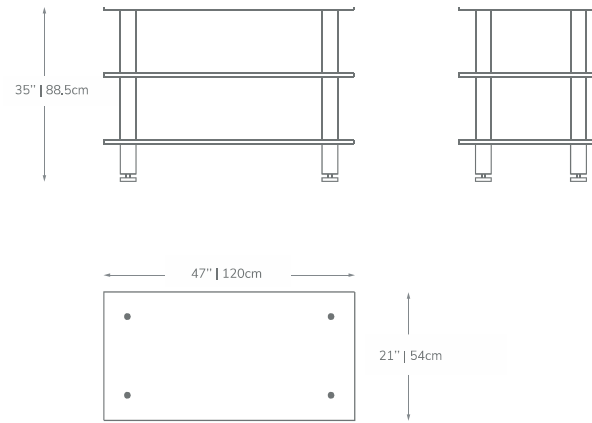


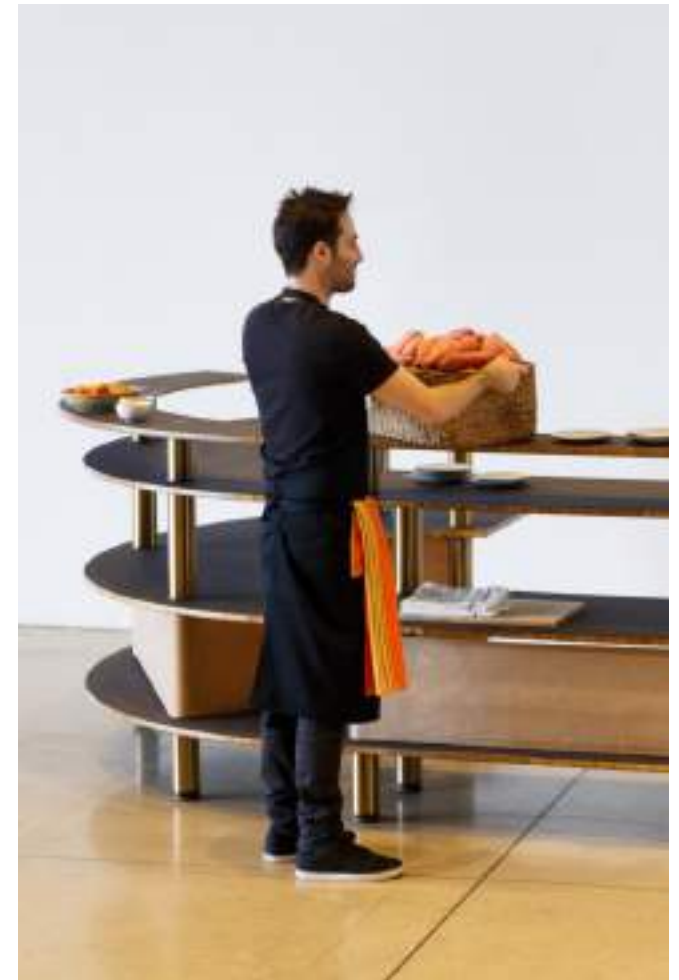


Creative Curved unit



Creative extension unit







- Heavy duty casters
- Vinyl coated contact areas



Holds up to 18 tabletops



Holds 7-9 modular unit segments and legs/casters
+dedicated space for multiple modular add-ons



POLO
TABLES





- Lightweight and extremely versatile
- Designed using a unique modular system
- Many shapes and sizes
- Simple and beautiful
- Linenless
- Durable





PANEL FINISHES

Made of our innovative BHP material



Bengali Mango
Wood BHP



Nero Marquina
Marble BHP



Grey Slate BHP

SEGMENT FINISHES



Brushed Stainless
steel Finish

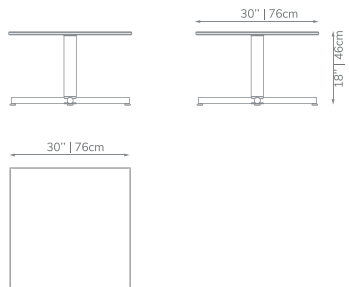


Brushed Brass
Finish

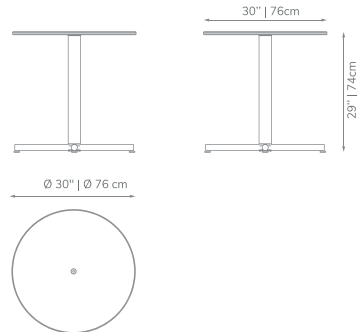




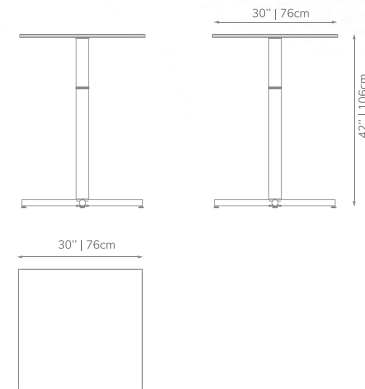
Coffee Table



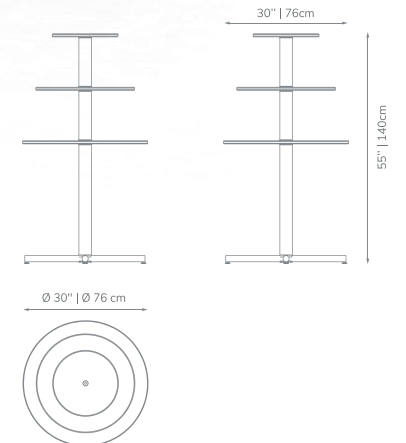
Bistro Table



Bar Table



Display Table









- Heavy duty casters
- Vinyl coated contact areas



Holds up to 16 PoLo round/square tops



Holds segments and cross bases for 15 PoLo tables



Rollin

SERVICE CARTS





- mobile and easy to navigate
- Multiple functionality
- Chic add-ons
- Different color and design combinations
- Optional quick cover



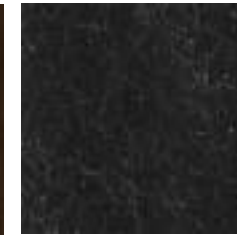


PANEL FINISHES

Made of our innovative BHP material



Bengali Mango
Wood BHP



Nero Marquina
Marble BHP



Grey Slate BHP

SEGMENT FINISHES



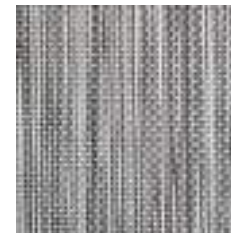
Brushed Stainless
steel Finish



Brushed Brass
Finish

QUICK COVER COLORS

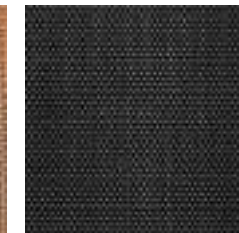
Our original quick covers, both durable and easy
to clean - easily cover up your service cart.



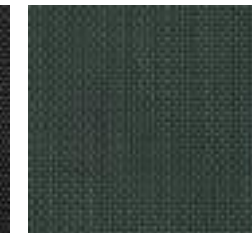
Silver-Grey
Quick Cover



Golden-Brown
Quick Cover



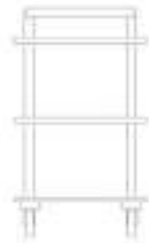
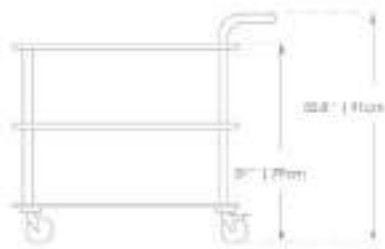
Charcoal-Black
Quick Cover



Green
Quick Cover



Service Cart



Service Cart Add-ons



Ice Bucket



Cheese Tray



Wine Glass Holder



Cutting Board



Towel Leather Hanger



Border







- 10 second assembly/ disassembly
- Unique locking mechanism
- Universal foldable bases
- Variety of shapes and finishes
- High functional and durable
- Linenless
- Modern design





PANEL FINISHES

Made of our innovative BHP material.



Bengali Mango
Wood BHP

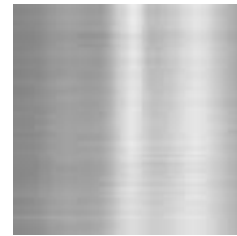


Nero Marquina
Marble BHP



Grey Slate BHP

SEGMENT FINISHES



Brushed Stainless
steel Finish

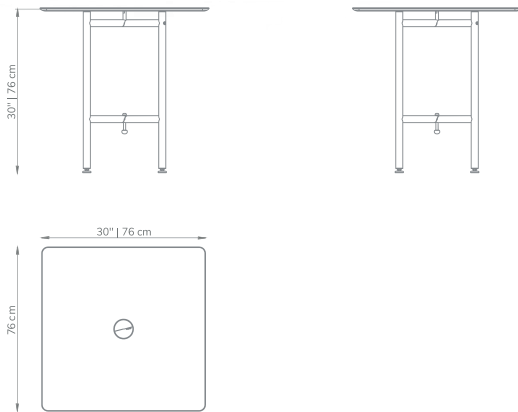


Brushed Brass
Finish

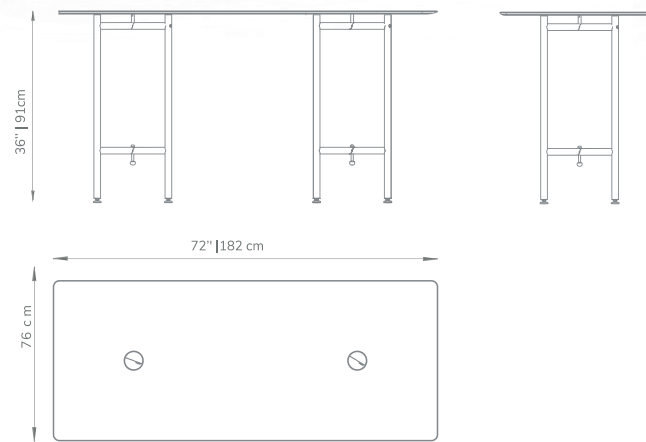




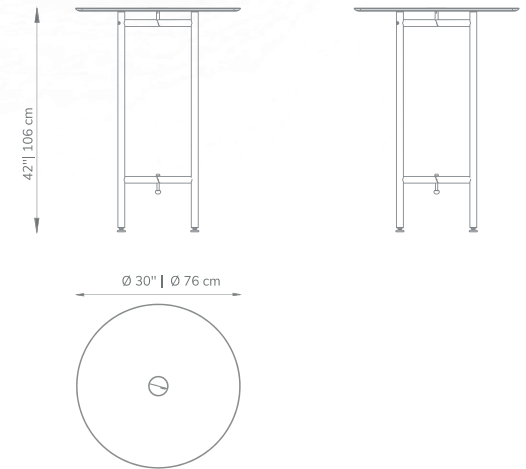
CliX H30



CliX H36



CliX H42







- Heavy duty casters
- Vinyl coated contact areas



Holds up to 16 CliX round/square tops



Holds up to 18 CliX rectangle tops



Holds up to 16 folded CliX legs



CATALOGS

CATALOG 2020-2021

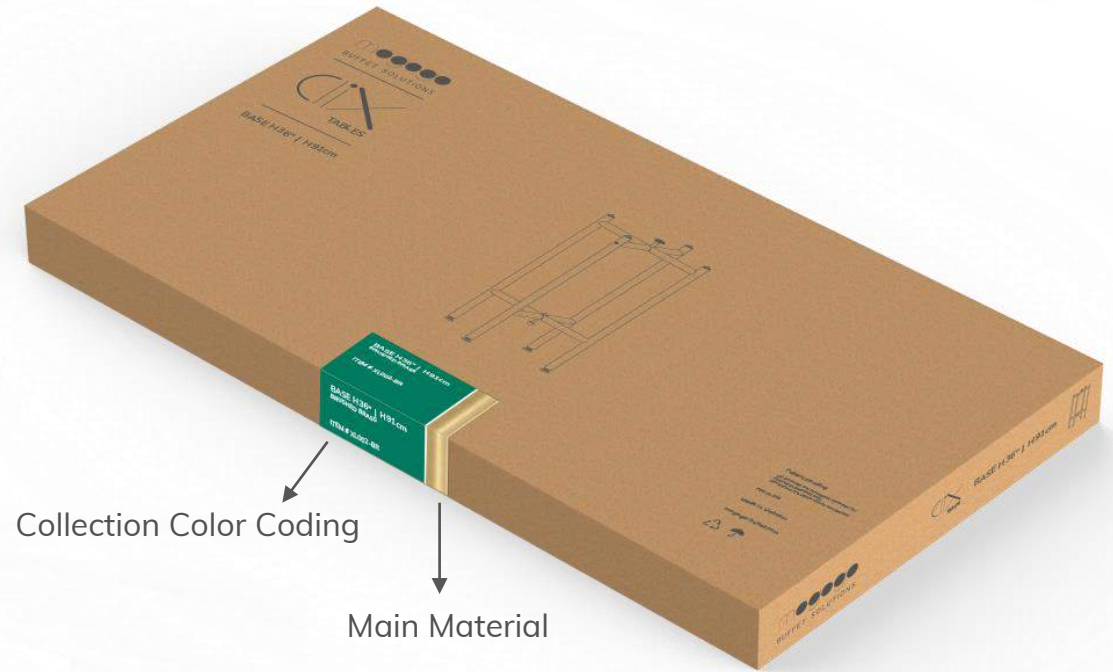




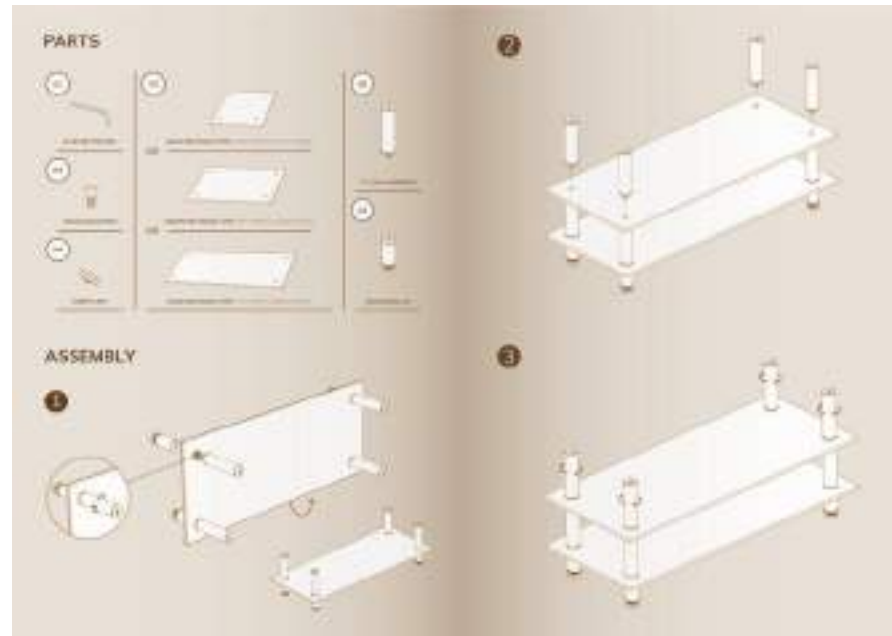
PACKAGING

From flat pack to buffet in no time!

FLAT PACK



INSTRUCTION MANUALS





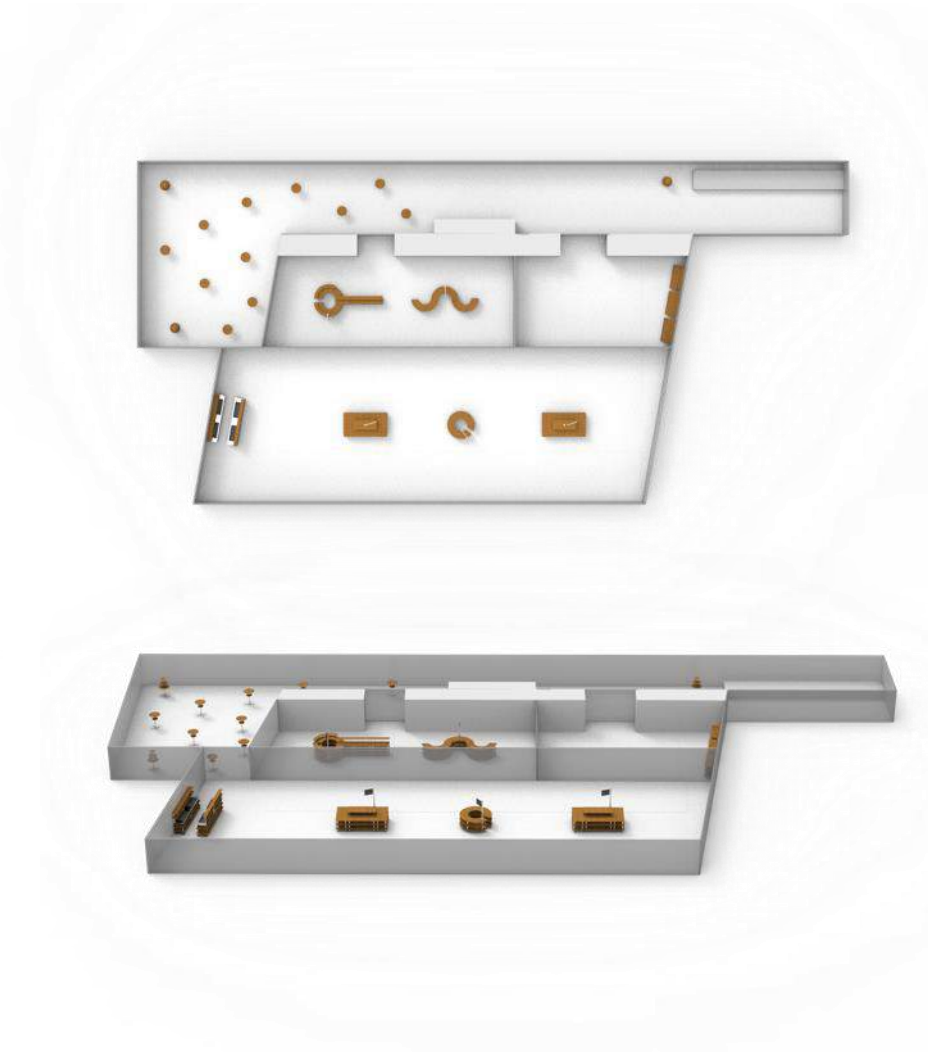
SERVICES

A few extra services we offer our costumers

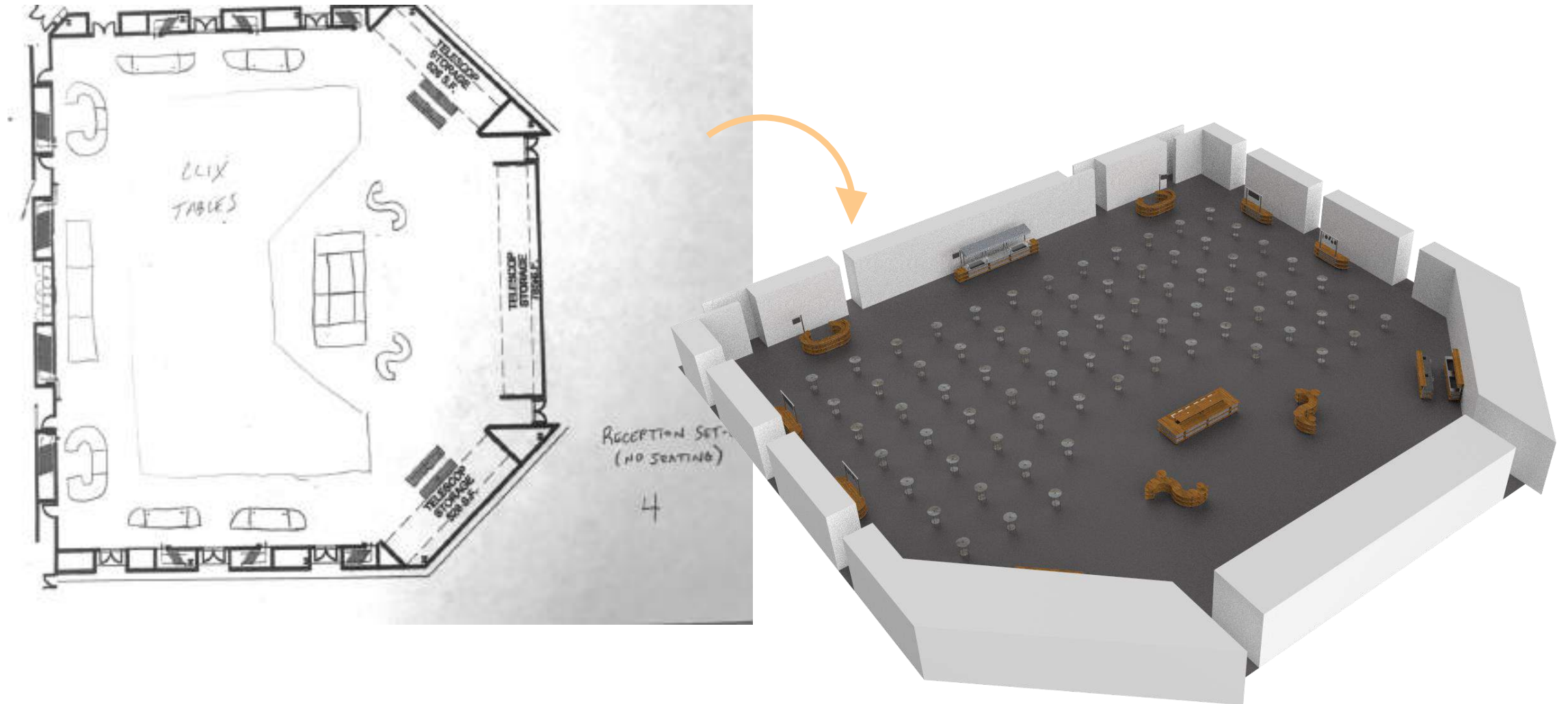
LAYOUT DESIGN



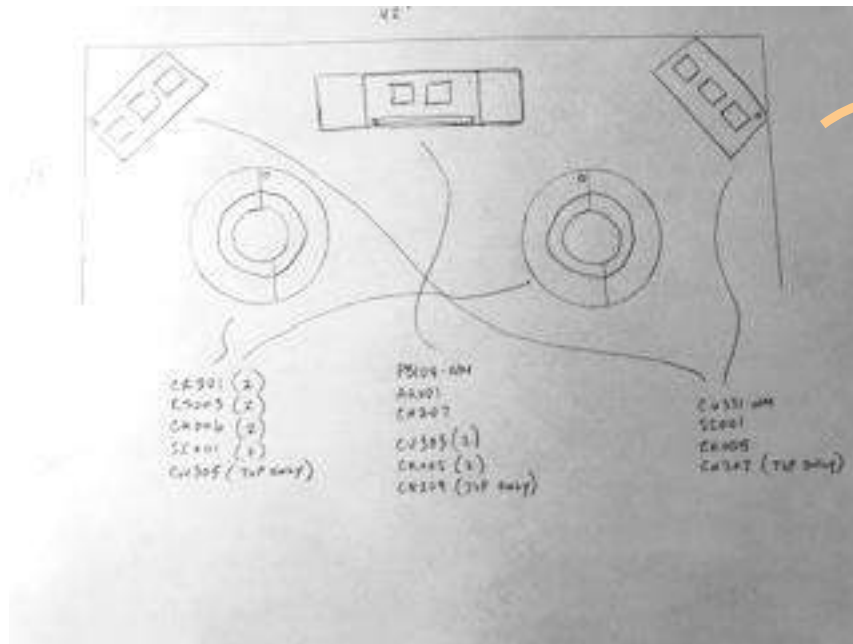
We offer our customers first hand support and consultation in determining their specific needs as well as creating both the 2D and 3D layouts and presentations. The Mogogo Modular System can be used to create an endless number of configurations out of only a few components. With our in depth grasp of the system, we can help maximize your space and improve its operation.



LAYOUT DESIGN



LAYOUT DESIGN



LAYOUT DESIGN



Building 45
 P304 - INNOVATION STAGE
 A304 - ARCH
 C304 - GARY CANTON

(1) P304 - HALF ROUND
 (2) P304 - CANTON
 C304 - GARY CANTON
 A304 - ARCH

Main 10
 Large Main
 F 204/205 + 206
 F 204 + 205

(1) C304 - 30 x 30
 P304 - 1/2 RND
 C304 - 6'
 B304 - 6' SHELF
 C304 - GARY
 A304 - ARCH
 C304 - INNOVATION STAGE

(1) C304 - GARY CANTON
 C304 - GARY CANTON
 (2) B304 - 6' SHELF
 (3) C304 - CANTON

Auditorium
 P304 - INNOVATION STAGE
 C304 - 6'
 (1) B304 - 6' SHELF
 C304 - CANTON



LAYOUT DESIGN



Only a small number of potential orders require presentations. But if needed to close the deal, here is a list of information needed to streamline the process.

- **Budget** – Knowing the budget can save time and eliminate unrealistic expectations early on in the process.
- **Room Floor Plan** – This is necessary to create the presentation to scale.
- **Simple Hand Drawings** – Knowing the desired function and location of stations will eliminate guesswork.
- **Finish** – Supply finishes.

Please touch base with us for more details – the process is free and requires no commitment.



CUSTOMIZATION



We offer to our clients customization services. We have worked on many projects closely with clients and created custom pieces such as special materials, unique finishes, new add-ons and more, for extra customizations.

Satin Off-White BHP finish



ROI CALCULATOR



Buffet and Table linens and its associated laundry handling and labor costs are costly hidden expenses. The ROI Calculator formula below is designed to illustrate the potential operational savings for switching to Linenless F&B Furniture.

Tables and Events

Choose number of tables you want to order?

Average number of tables per event?

Enter the number of events per week?

Linens

Enter average laundry cost per linen?

Time

Number of staff required today for each set up?

Time (in hours) currently required per set up?

Staff average hourly wage? (Ex: 12.25)

RESET

CALCULATE



CLIENT GALLERY

Mogogo stations in action





























THANK YOU

mogogo
BUFFET SOLUTIONS